

PEDESTRIAN OPERATED TURF CUTTER  
MODEL TC DRB34 SIM  
PARTS MANUAL



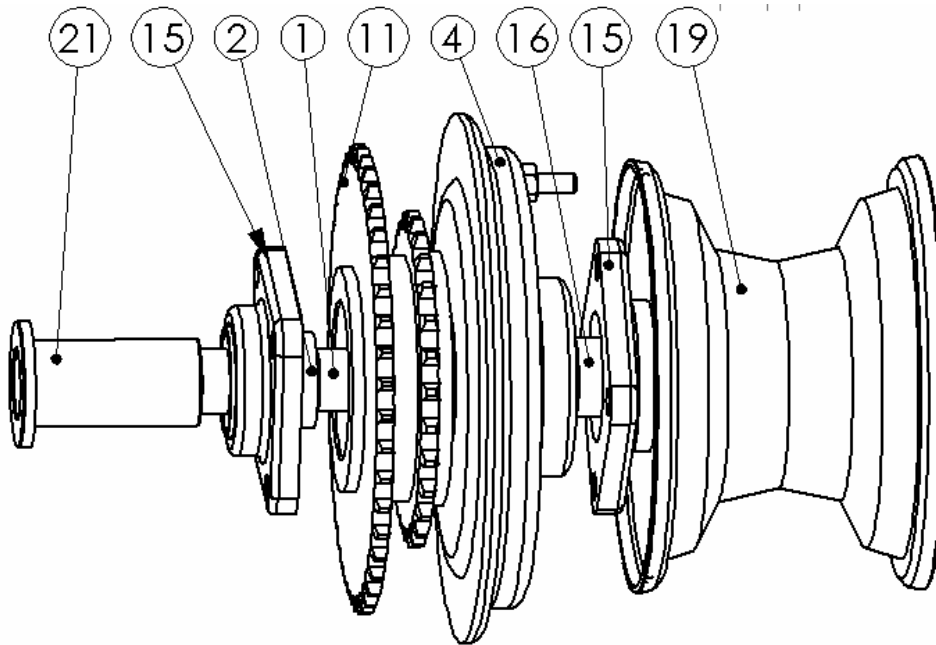
GROUNDSMAN INDUSTRIES LTD.  
30 BALLYBRAKES ROAD  
BALLYMONEY, Co. ANTRIM  
N. IRELAND BT53 6LG.  
TEL: 028 2766 7049 FAX: 028 2766 6855

Email: [bwarke@groundsmanindustries.co.uk](mailto:bwarke@groundsmanindustries.co.uk) Web Site: [www.groundsmanindustries.co.uk](http://www.groundsmanindustries.co.uk)

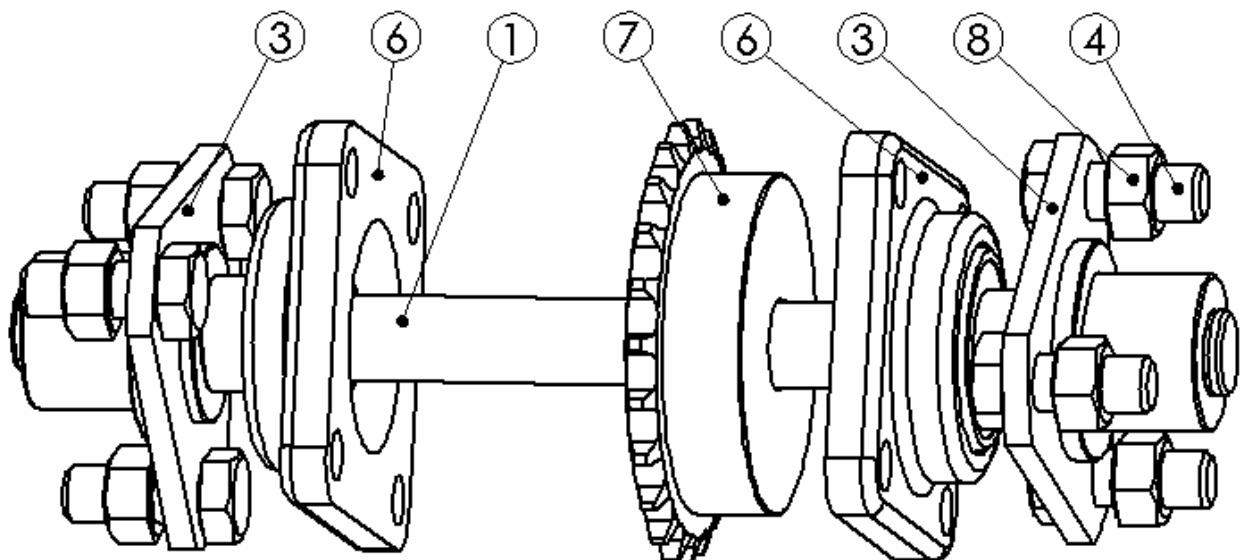
*Leading the field in turf cutting technology*



3 SA TCDRB 031A SIM Front Axel Assembly		
ITEM NO.	PART NO.	DESCRIPTION
1	TCRB SIM 011	Front Axel
11	SA TCDRB 032E SIM	Front Axel Disc Clutch Sim
4	CPC104	Front Axel Clutch Brake
15	BPC031	Bearing Front Axel
16	TC3034C	Clutch Spacer
19	WA TCRB SIM 014	Wheel Rim

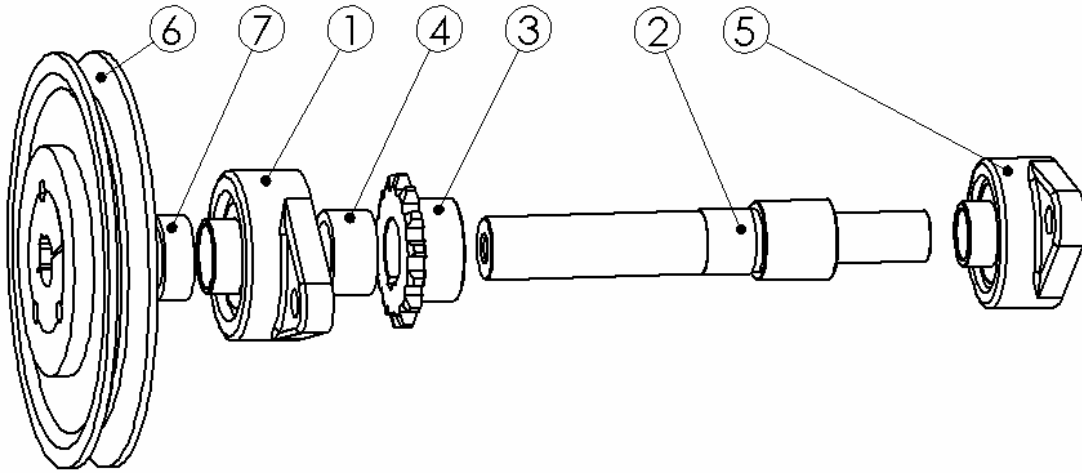


4 TC3031 SIM Rear Axel Assembly		
ITEM NO.	PART NO.	DESCRIPTION
1	TC3027A SIM	Rear Axel
3	TC3017 WA	Blade Wheel-Hub Assembly
6	BPC031	Bearing Rear Axel
7	SPC007	Taper-Loc Sprocket
8	TC3042Q1	Wheel Nuts



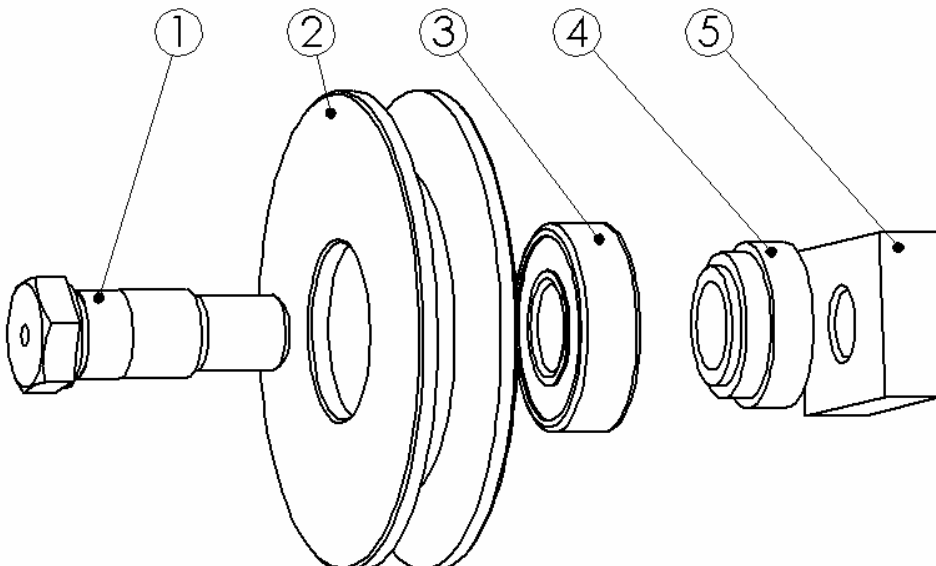
**5 TC3038 Input Shaft**

ITEM NO.	PART NO.	DESCRIPTION
1	BPC030	Bearing 2 Bolt Pulley Side
2	TC3038	TC3RB Input Shaft
3	TC3038A	TC3RB Input Shaft Sprocket
4	TC3033C	Input Shaft Inner Spacer
5	BPC029	Bearing 2 bolt
6	BPC041	Single Groove Pulley
6	BPC034	Pulley Bush
7	TC3033D	Input Shaft Outer Spacer



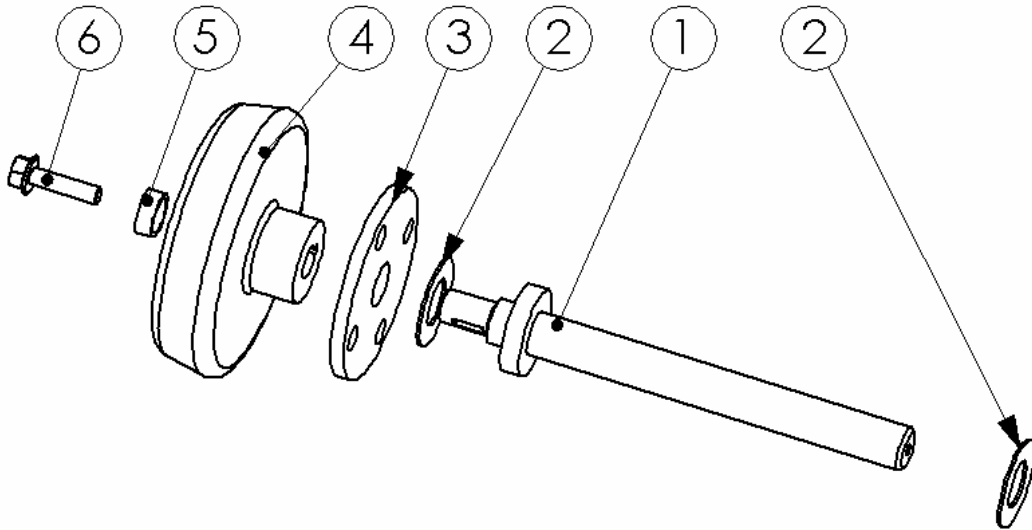
**7 TC3011 Tens Pulley Assembly**

ITEM NO.	PART NO.	DESCRIPTION
1	TC3011E	Tens Pulley Spindle
2	TC3011A	Belt Tensioner Pulley
3	BPC105	Bearing Tensioner Pulley
4	TC3047A	Pulley Tensioner Spacer
5	TC3011H	Pulley Clamp Square Slide Washer



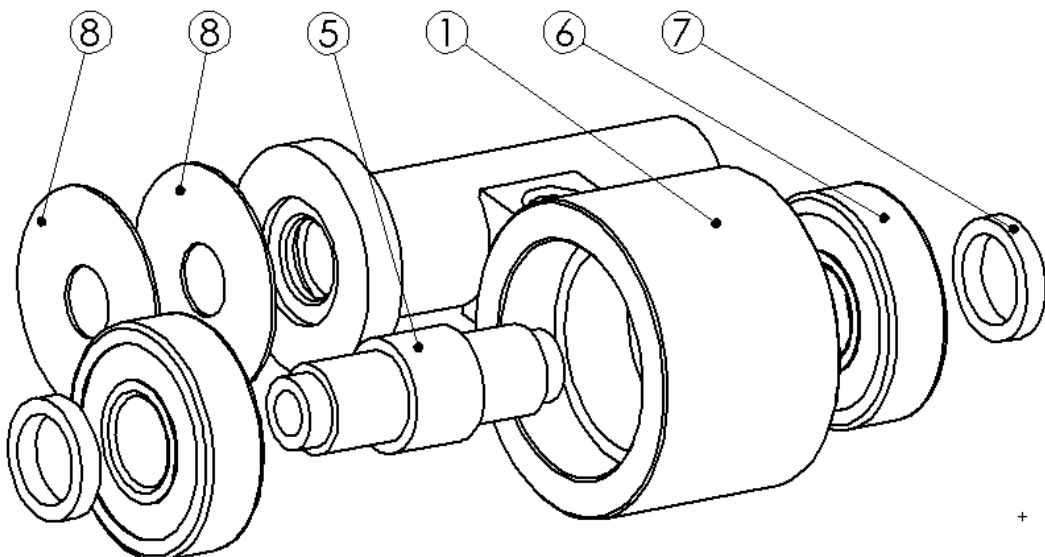
**8** TC3052 Depth Set Screw

ITEM	PART NO.	DESCRIPTION
1	TC3025-2	Depth Set Spindle
2	TC3025A	Spindle Thrust Washer
3	TC3024	Depth-Crank Cap
4	HPC005	Hand wheel
5	TC3025-2A	Handle retainer washer
6	BPC0625CP	M6 x 25

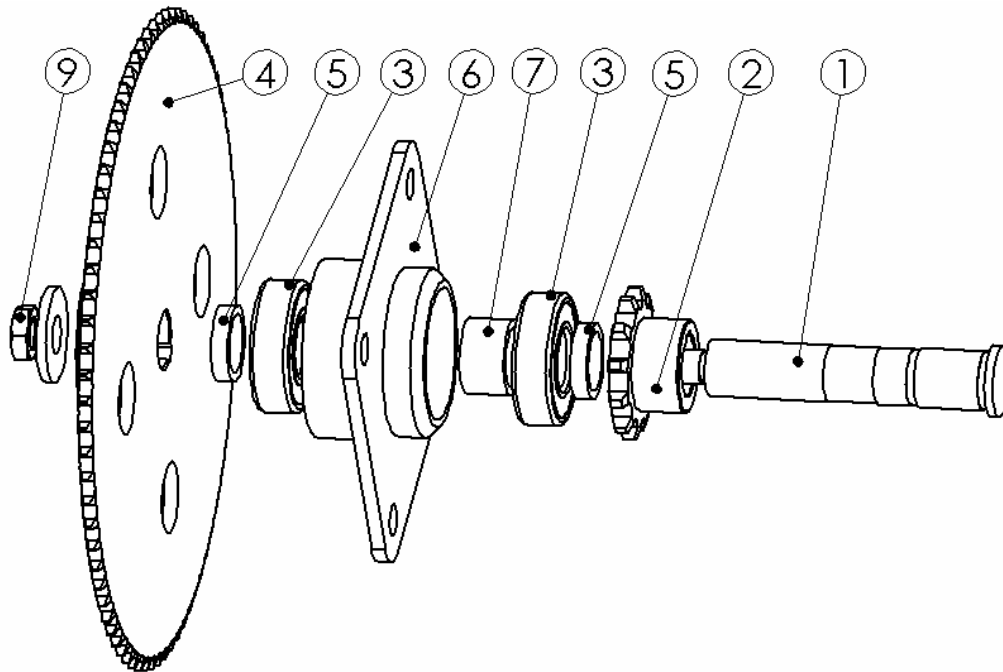


**13** TC3020B Depth Set Bearing Housing

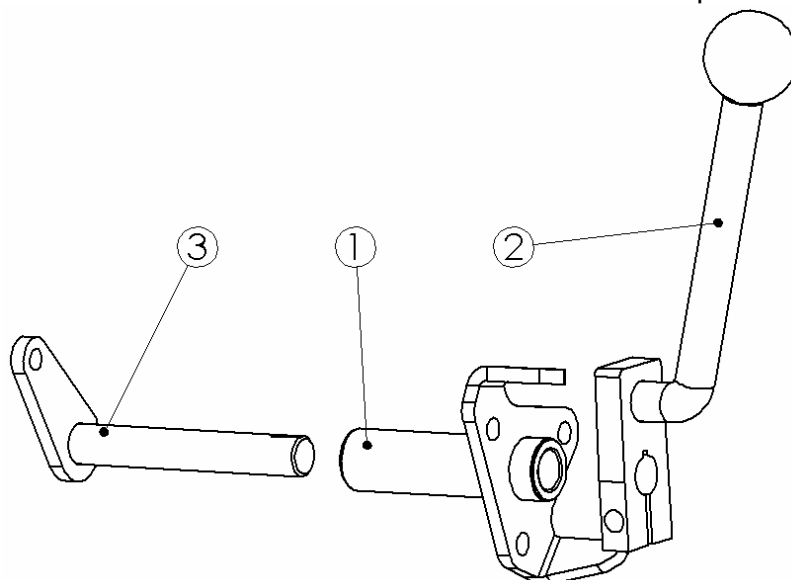
ITEM NO.	PART NO.	DESCRIPTION
1	TC3020	Depth-Set Bearing Housing
5	TC3041	Blade Leg Pivot Spindle
6	BPC102	Bearing Depth Set
7	TC3033E	Blade Leg Pivot Spindle Spacer
8	TC3020C	Depth-Set Clamp Block Spacer



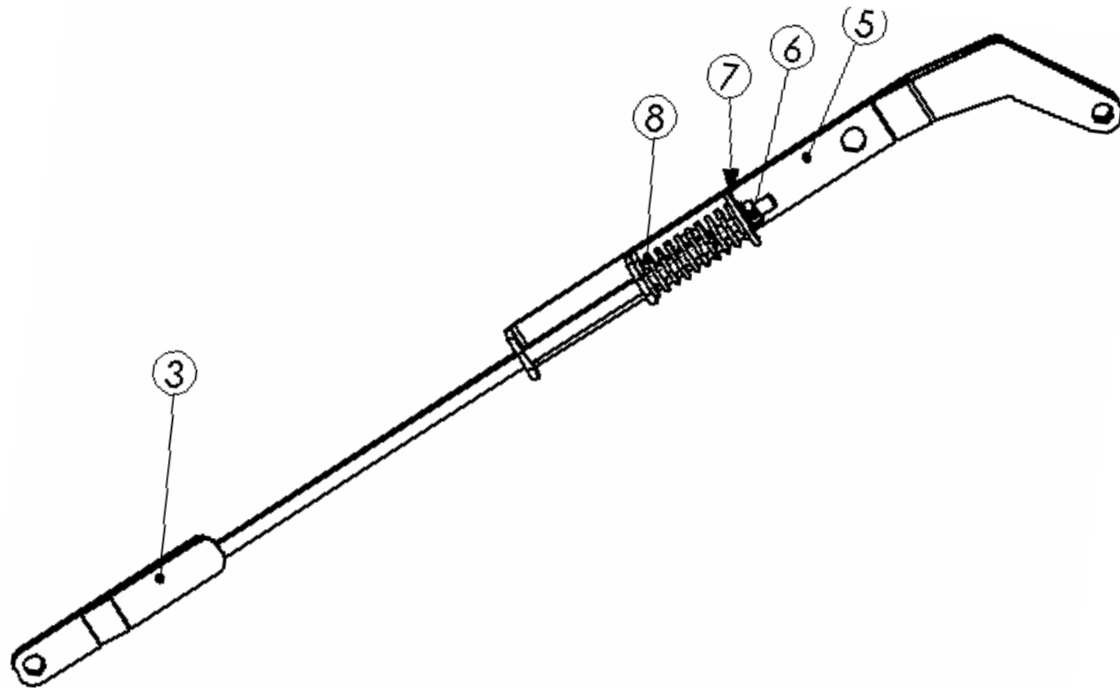
ITEM NO.	PART NO.	DESCRIPTION
20	SA TCDRB34 001 S	Sim Compound Spindle Assembly
1	MPTC34001 S SIM	Compound Spindle (short)
2	MPTC3039A SIM	Sim Compound Shaft Sprocket
3	BPC102	Bearing
4	WA TCDRB 001	Sim Compound Sprocket
5	MP TCDRB SIM 001	Comp Spindle Spacer
6	WA TC DRB 002 S	Comp Housing (short) Bearing Housing
7	MP TCDRB SIM 001 S	Comp Spindle Spacer (short) 14mm Spacer
9	NPC12NYT	Nylock Nut & Washer



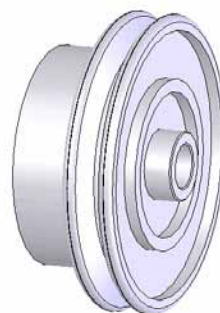
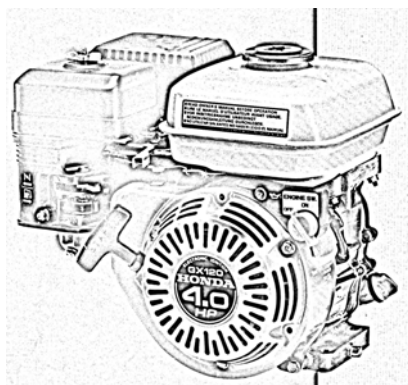
ITEM NO.	PART NO.	DESCRIPTION
21	SA TCRB SIM 003	Lever Spindle Assembly
1	SA TCDRB SIM 002A	Flange Boss
2	SA TC3066H3	Disc Clutch Activator Lever Assembly
3	WA TC3066R SIM	SIM Disc Clutch Spindle



ITEM NO.	PART NO.	DESCRIPTION
23	TCRB SIM 009/010	Clutch Linkage Assembly
3	TCRB SIM 009	Toggle Lower Link
5	TCRB SIM 010	Toggle Upper Link
6	NPC06NY	Clutch Link Nut
7	WAS06	Clutch Link Washer
8	SPC111	Clutch Link Spring

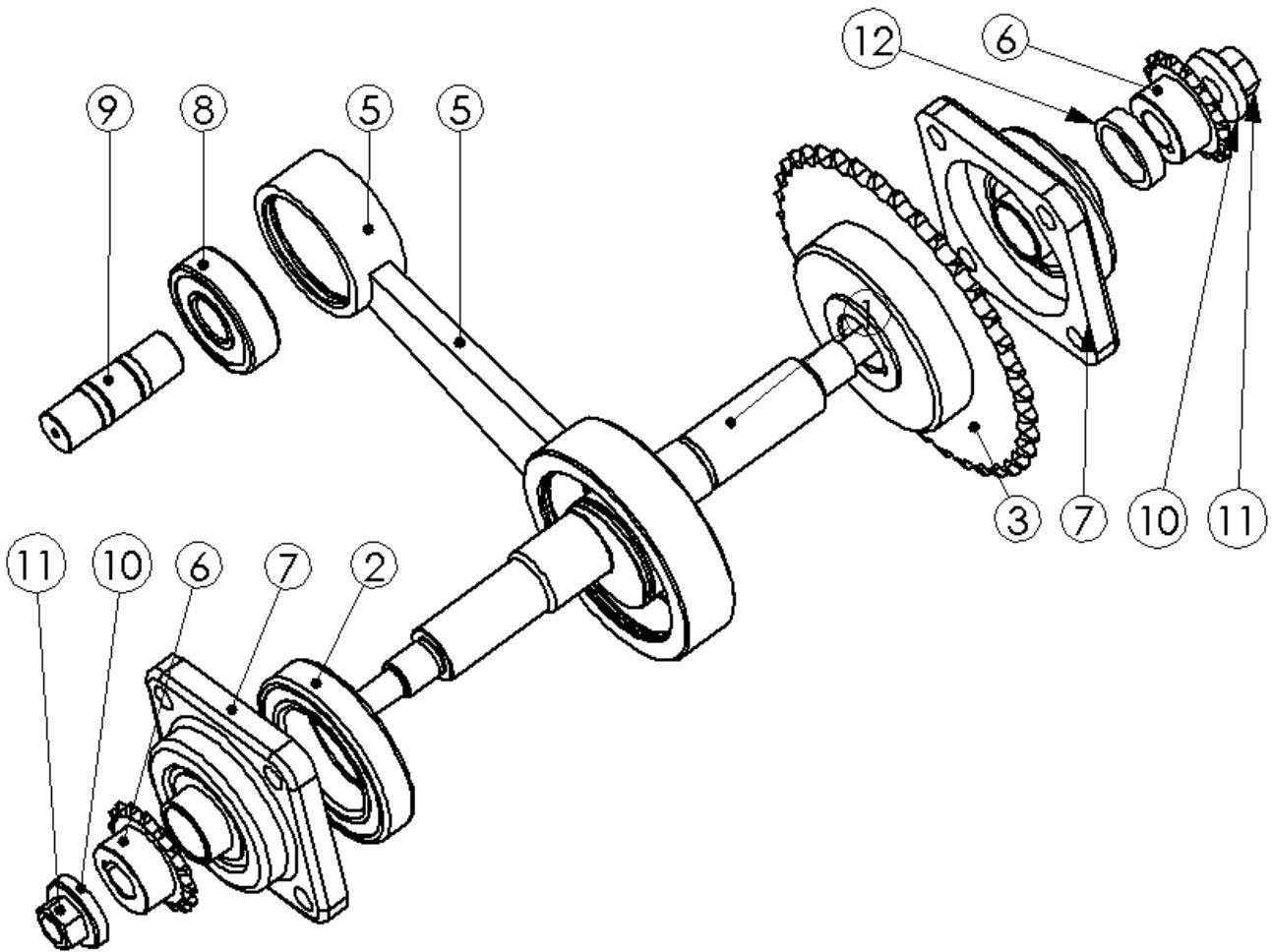


ITEM NO.	PART NO.	DESCRIPTION
2	Honda GX120	Honda OHV 4&5 HP Engine
6	CPC103	Centrifugal Clutch

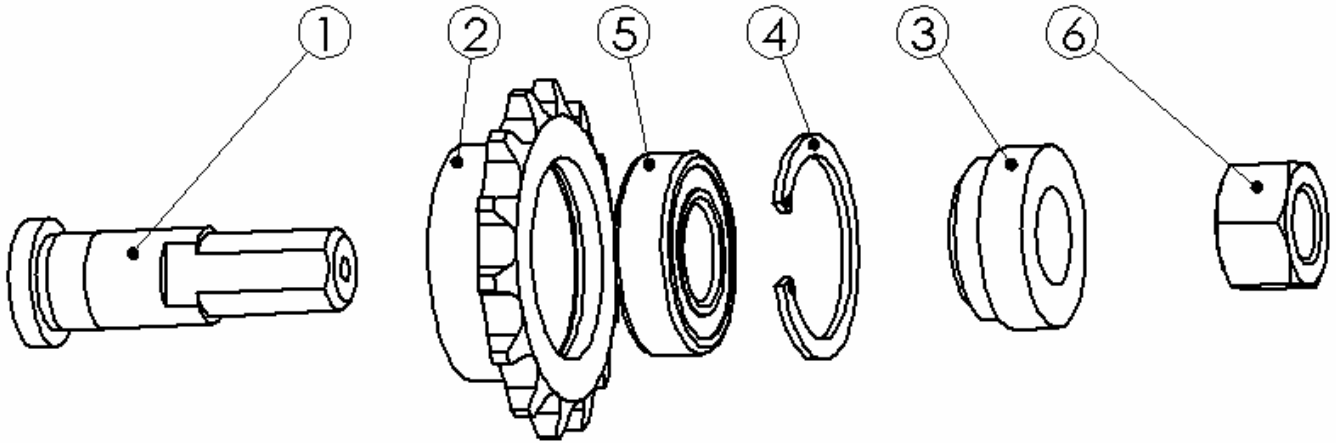


## 22 TC3026 SIM Crank-Shaft Assembly

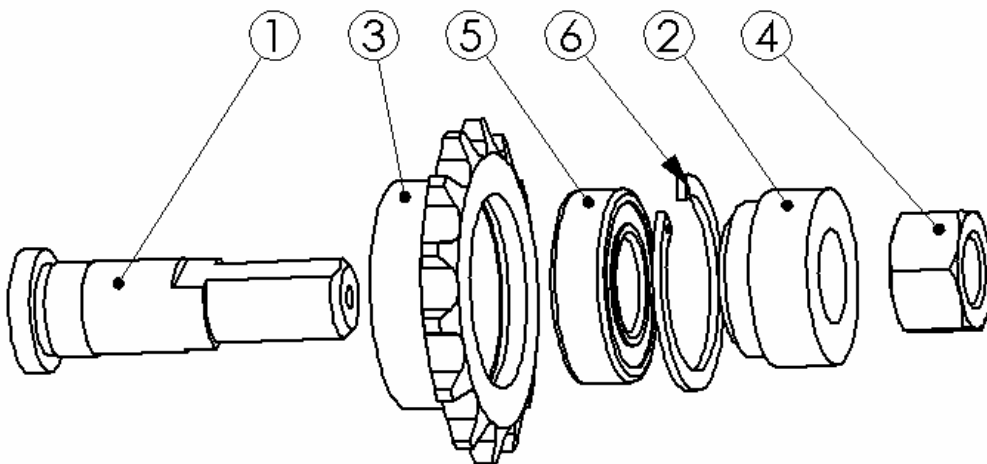
ITEM NO.	PART NO.	DESCRIPTION
1	MP TC3026 SIM	Crank-Shaft
2	BPC107	Bearing
3	TC3035	Crank Sprocket
4	TC3036	Crank-Shaft / Sprocket Spacer
5	WA TC3016B Mk2 SIM	Con-Rod Assembly
6	MP TC3035A SIM	Ground Drive Sprocket
7	BPC032	Bearing
8	BPC102	Bearing
9	TC3037A	Small End Spindle
10		12 mm Heavy Washer
11		1 2 in Hex Nut
12	MP TC3036A SIM	Crank-Shaft / Sprocket Spacer



26 TC3047 Tensioner Sprocket Assembly Input to Crank		DESCRIPTION
ITEM NO.	PART NO.	
1	TC3047	Chain Tensioner Spindle
2	TC3045	Chain Tension Sprocket
3	TC3047A	Tensioner Spacer
4	Circlip	137 outer 132 inner 1.60 thick
5	BPC028	Bearing Single Row
6	NPCF916	Nut

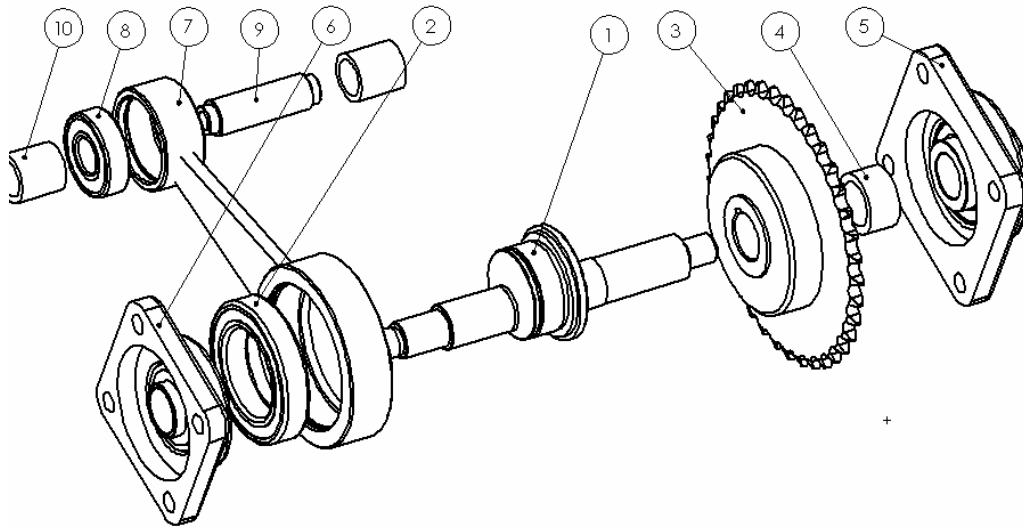


27 SA TCDRB Sim 004 Tensioner Compound To Axel		DESCRIPTION
ITEM NO.	PART NO.	
1	MP TCRB SIM 009	Chain Tensioner Spindle
2	MP TCRB SIM 008	Tension Spacer
3	TC3045	Chain Tension Sprocket
4	NPCF916	Nut
5	BPC028	Bearing
6	Circlip	137 outer 132 inner 1.60 thick



**24** TC3026 Crank Assembly

ITEM NO	PART NO.	DESCRIPTION
1	TC3026	Crank-Shaft
2	BPC107	Bearing Single Row Radial Ball Bearing
3	TC3035	Crank Sprocket
4	TC3036	Crank-Shaft / Sprocket Spacer
5	BPC032	Plumber-Block Bearing & Insert
6	BPC032	Plumber-Block Bearing & Insert
7	TC3016A	Con-Rod
8	BPC027	Bearing Single Row Radial Ball Bearing
9	TC3037	Con-Rod Small End Spindle
10	TC3033B	Small-End Spindle Spacer



PART NO.	TYPE	DESCRIPTION
1	CPC125 3/8" STD	Chain Crank To Compound
2	CPC122 1/2" 0 RING	Chain Input To Crank
3	CPC123 1/2" 0 RING	Chain Front Axel To Compound
4	CPC124 1/2" 0 RING	Chain Front To Rear Axel
5	BPC133	A33 Belt

